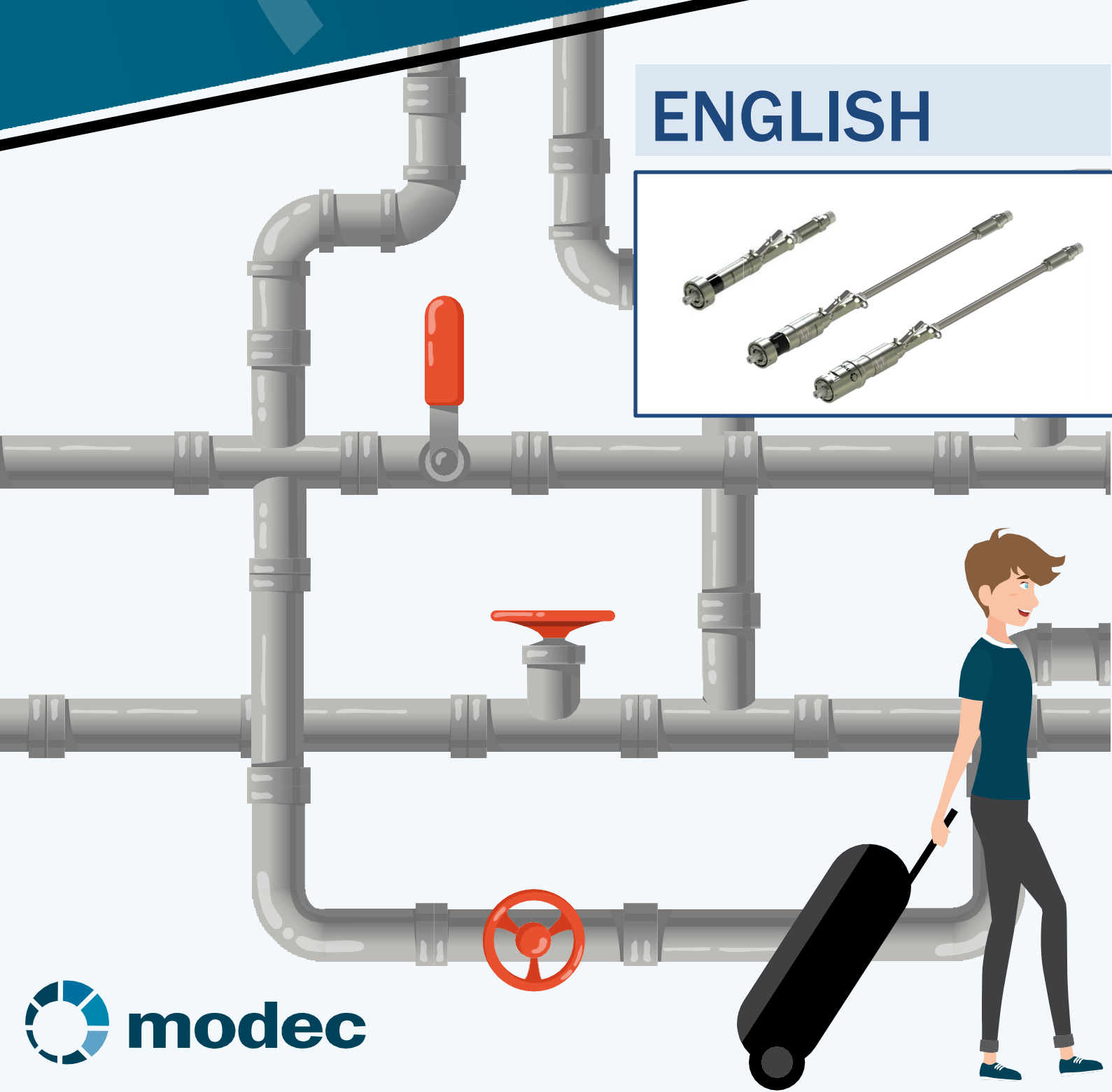


# INSTRUCTION MANUAL

## HL83

ENGLISH



# T ABLE OF CONTENT

HL83 Pneumatic series .....	3
1. Instruction manual .....	3
2. Introduction.....	4
3. General safety warnings.....	5
a. Transporting the actuator.....	6
b. Storing the actuator .....	7
c. Protecting the environment .....	7
4. Instruction Manual : modex Portable Valve Actuators.....	7
5. CE certification.....	8
6. Safety equipment .....	9
7. Description and technical specifications.....	9
8. Starting up the Portable Valve Actuator .....	11
a. Lubrication and connection .....	11
b. Starting up the pneumatic actuator .....	12
9. Setting up the Portable Valve Actuator .....	12
a. General info.....	12
b. Fixing the actuator on to the torque management device and/or on an adaptor .....	12
c. Fixing the BR001 torque management arm and anchoring strap .....	13
10. Using the actuator .....	14
a. Preliminary checks .....	14
b. Special cases.....	15
11. Options .....	16
a. Digital Revolution counter .....	16
b. RA20 right angle head.....	18
c. Torque limiter .....	18
12. Servicing and maintenance .....	19
13. Problem solving .....	20
Warranty.....	21

# HL83 Pneumatic series

## 1. Instruction manual

Light, powerful and fast, **modec** PVAs (Portable Valve Actuators) offer improved **safety** and **comfort** for operators and protect equipment from damage. They can be adapted to all types of handwheels, keys and valves, and have a torque range that can reach up to 740 lb.ft.

They come with a large number of **options**, **adaptors** and **accessories** so they can be assembled to best meet the particularities of different maneuvering systems and their environment.

**modec pneumatic portable valve actuators** are the most **compact**, **light** and **powerful**. They offer a wide choice in terms of power and can be used in **all environments**, even the very difficult ones.

You can have them **ATEX II 2 GD c IIC T6 to T4 certified**, they can go to stall and they do not generate heat, sparks or smoke.



CAREFULLY READ THE OPERATING HANDBOOK BEFORE USE



## 2. Introduction

This instruction manual must always be available and kept close to where the actuator will be used.

This document is unique and is owned by the company **modec**. It cannot be corrected, modified or duplicated without prior written agreement. This document should not be considered a replacement for safety rules set out in the Work Code or in any other legislation that applies to the site where the actuator is used.

It belongs to the operators to make sure that all security regulations applicable to both the work site and the Portable Valve Actuator conditions of use are respected.

**modec** products are conceived and fabricated with the utmost care and attention for the safety of both the operator and the equipment. This is certified by the declaration of conformity with the relevant clauses in the European directive 2006/42/CE.

The actuators described in this document may evolve. We reserve the right to modify their specifications, without prior notice. Updates will be available on our website [www.modec.fr](http://www.modec.fr). It is important to refer to the website before setting up or using the actuator, and before carrying out maintenance. Any modifications made to the actuators or their accessories must be approved in writing by **modec**.

Operators in charge of setting up, using or servicing **modec** actuators must have a reasonable knowledge of the equipment. As well as carefully reading this instruction manual, they must be competent in the valve sector and the particularities related to their work environment.

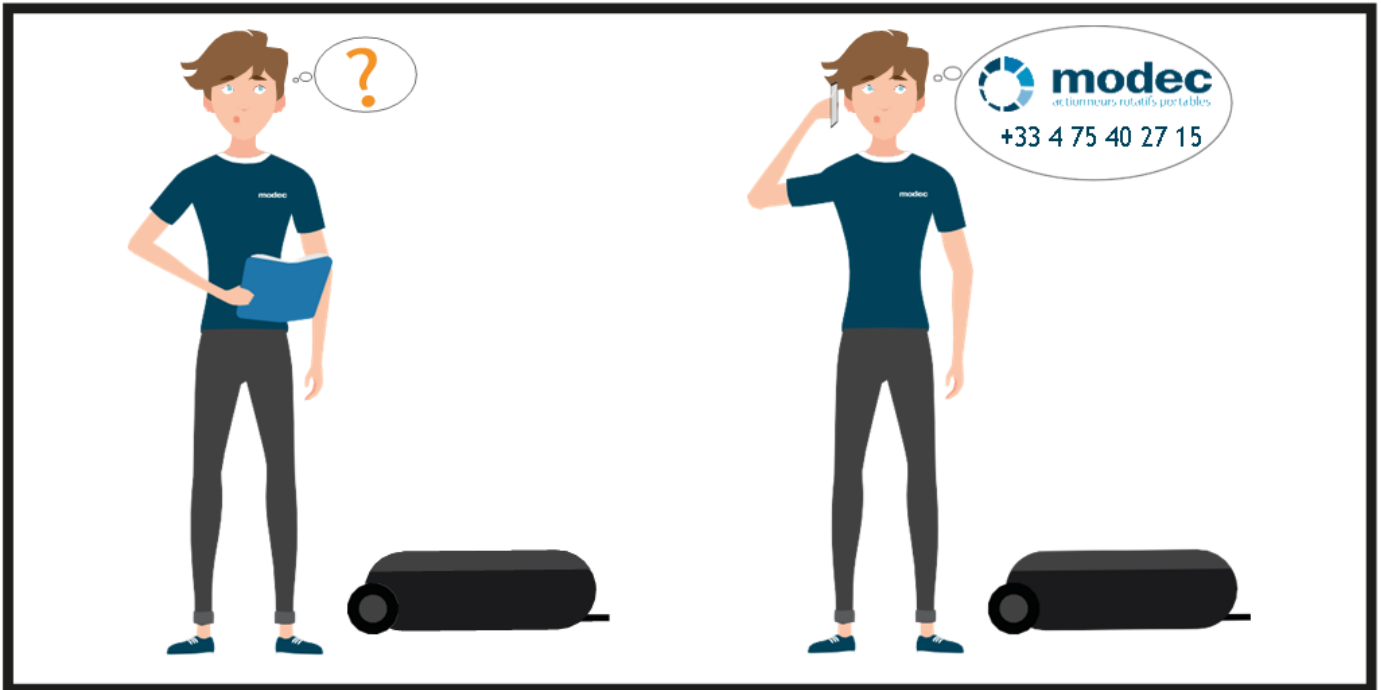


### **KEEP THESE INSTRUCTIONS**

**This manual contains important information and user instructions for the following tools:**

**Pneumatic Portable Valve Actuator HL83x-xxx-xx.**


**It is IMPERATIVE that you read the whole of this user guide before using the tool or carrying out any maintenance operations. Make sure you follow to the letter the instructions and diagrams found in this document. Failure to adhere to the instructions contained in this manual, and any modifications, omissions or the use of replacement parts that do not adhere to the specifications set out in this manual, clears the manufacturer of all responsibility related to the protection of people and equipment.**



### 3. General safety warnings

**This machine is not intended for use by people with reduced physical, sensory or mental capacity, or by people devoid of experience or knowledge, except if they are supervised by, or have been given instructions by, an intermediary for the person responsible for their security.**

**Portable Valve Actuators are designed solely for use by professional operators trained in how to use them and educated about the relevant safety measures.**

 To avoid all risk of injury associated with using a **modtec** Portable Valve Actuator, take care to always follow the user instructions. Make sure you work in a comfortable position that demands minimal effort from your body, arms and wrists. Keep your wrists straight, without excessive, repetitive or prolonged twisting or extension. Do not use force and do not hold the tool tighter than necessary – avoid long exposure to vibrations.

- The **modtec** Portable Valve Actuator is a tool whose use is exclusively for manipulating valve handwheels or rotating systems, such as those described in this document.
- **modtec** Portable Valve Actuators are not adapted for manipulating winches or lifts.
- The company **modtec** declines all responsibility for damages caused by incorrect use and any use other than the one intended.
- The company **modtec** also declines all responsibility for damages resulting from the use of accessories that are not the original.

#### **Work zone safety**

- Keep the work area clean and well-lit – minimum level lighting of 300 lux
- Aside from the operator, keep any other people at a safe distance within a radius that takes account of fixed points, straps, chains and any other torque retention system used.
- To protect the operator, we recommend that you do not use the PVAs if there is a risk of lightning.

## **Safety of personnel during use and maintenance**

- Stay vigilant – watch what you are doing and apply common sense when using the tool. Do not use a tool if you are tired or under the influence of drugs, alcohol or medicines.
- Use the individual safety protection equipment (see the summary table, page 7).
- Do not rush ahead – maintain a suitable position and balance at all times.
- Wear suitable clothing – do not wear baggy clothes or jewelry. It is obligatory to tie back hair and to wear close-fitting clothes (not floaty) to ensure all clothing parts are distanced when moving.
- To avoid the motor starting at the wrong time, before picking up or while carrying the PVA, shut or disconnect the compressed air supply (use a SAT Box for maximum safety).

## **Use and servicing**

- Do not use the tool if the switch systems for changing direction, accelerating, starting up or stopping are not working properly. This could pose danger to the operator.
- Observe tool maintenance. Check there if no incorrect alignment or blockage of moving parts or from broken parts or any other problem that could affect how the tool functions. If there is any damage, take the necessary steps and precautions to return the tool and its accessories to good working order.
- Have the tool serviced by a qualified repairer using only **modec** products when changing parts.
- Only use valve accessories recommended and approved by **modec**. Think to consult the accessory list provided and/or seek advice from **modec** for specific uses.
- Before starting up the motor, the operator must, without fail, check the follow points:
  - Accessories mounted or activated by the actuator are in good condition and correctly attached.
  - The most suitable torque retention system is being used and it assures the safety of the operator.
  - The system that fixes to the valve or the handwheel is adapted to the valve or handwheel being actuated.
  - Both the actuator and the operator are in a stable position. The operator is placed in opposition to any possible movements the actuator may make while coming to a stop.
- Stop the actuator immediately if it starts to behave differently (a change of noise, increased vibrations). Replace all damaged parts of the actuator and accessories. Damaged parts can burst and cause serious harm, even a potential fatality.
- Before placing a handwheel on, or removing it from, the actuator, wait until the actuator has come to a complete stop.
- Only activate the command to inverse the direction left/right when the actuator is fully stopped, otherwise the operator may find they are working in a poorly adapted position.
- Always hold down the rotation direction switch until it stops.



In certain circumstances, the tool may keep rotating for several seconds after releasing the switch. Never put your hands close to the tool or any moving parts.

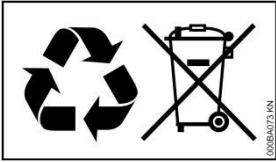
### **a. Transporting the actuator**

- Keep the original casing for return in case of any revisions or repairs.
- When packing, make sure that all switches are off and without any constraints.
- Always pack the tools in the correct spaces to avoid them knocking against each other.

### **b. Storing the actuator**

**modec** actuators must be stored in a dry and correctly ventilated environment to ensure there is no corrosion of the internal mechanic parts.

### **c. Protecting the environment**



To eliminate waste, conform to the stated national requirements. The actuators and their accessories must not be thrown in a waste bin. Make sure you dispose of the tools in specialist recycling centers.

## **4. Instruction Manual : modec Portable Valve Actuators**

**The Portable Valve Actuators user's manual videos**



**CERTIFICATE OF CE COMPLIANCE (Annex II A)**

The undersigned manufacturer

**MODEC SAS**  
 ZI Sirius Quatre, 80 allée René Higonnet  
 F-26760 Beaumont lès Valence  
 N° SIRET : 493 748 917 00017

Declares that the Portable Valve Actuator designated by the following commercial references:

Tipo	Denominazione	Numero di serie
<b>Pneumatic</b>		
HL83E-xxx-xx	Air Portable Actuator, Easy Duty,	HL83E-XXXXXXXX
HL83S-xxx-xx	Air Portable Actuator, Standard Duty	HL83S-XXXXXXXX
HL83H-xxx-xx	Air Portable Actuator, Heavy Duty	HL83H-XXXXXXXX
<b>Petrol gas</b>		
PY68E-xxx-xx	Gas Portable Actuator, Easy Duty	PY68E-XXXXXXXX
PY68S-xxx-xx	Gas Portable Actuator, Standard Duty	PY68S-XXXXXXXX
PY68H-xxx-xx	Gas Portable Actuator, Heavy Duty	PY68H-XXXXXXXX
<b>Electric</b>		
MC89E-xxx-xx	Electric Portable Actuator, Easy Duty	MC89E-XXXXXXXX
MC89S-xxx-xx	Electric Portable Actuator, Standard Duty	MC89S-XXXXXXXX
JA73E-xxx-xx	Electric Portable Actuator, Easy Duty	JA73E-XXXXXXXX
JA73S-xxx-xx	Electric Portable Actuator, Standard Duty	JA73S-XXXXXXXX
JA73H-xxx-xx	Electric Portable Actuator, Heavy Duty	JA73H-XXXXXXXX

complies with the essential requirements of the European Directive 2006/42/EC.

Beaumont lès Valence, 01/01/2023

Mr Pierre-Yves COTE  
 Président





## 6. Safety equipment

### Personal Protective Equipment:

Operators or anyone placed close to the actuators must wear the following protection. It is incumbent on the company using the equipment to ensure that safety rules are respected.



Hearing protection



Protective goggles



Safety shoes



Safety gloves  
(level 3121 according to EN388)

### Safety signs :

Summary table explaining the pictograms found on the apparatus.

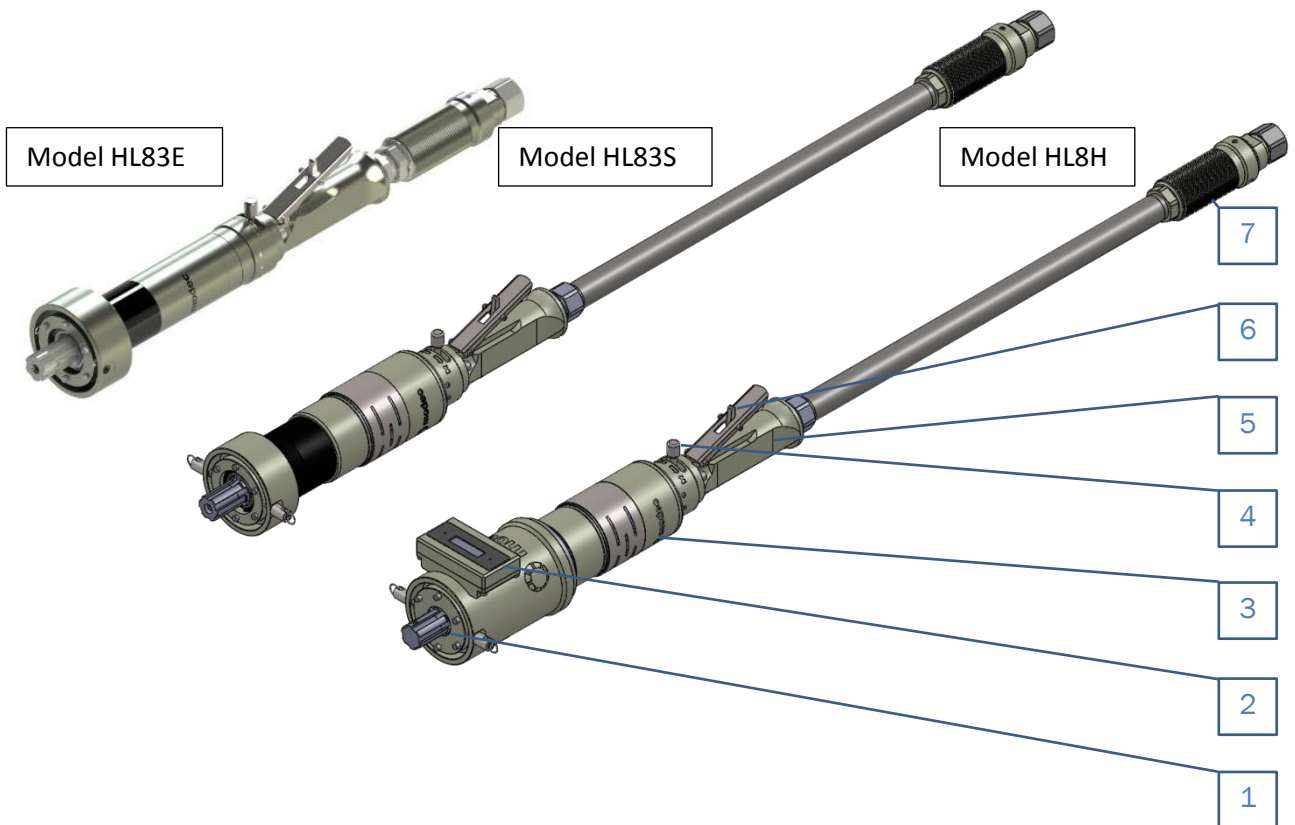


Warning ! Using this material can be dangerous



Read the notice before use

## 7. Description and technical specifications



- 1 – Flange: enables the attachment of all **moddec** heads, adaptors and torque systems.
- 2 – Revolution counter module (option): it gives a double reading – rotating speed and number of turns.
- 3 – Pneumatic body and gearbox.
- 4 – Left/right switch – to choose rotational direction of the actuator.
- 5 – Stop / Start handle.
- 6 – Safety trigger.
- 7 – Accelerator or airflow regulator: allows the actuator to rotate progressively.

## Performances & technical specifications

General specifications	Easy Duty	Standard Duty	Heavy Duty
Model	HL83E-xxx-xx	HL83S-xxx-xx	HL83H-xxx-xx
Maximum air supply pressure (bars (psi))	6,2 (90)		
Weight (kg (lb)) (not including options and accessories)	3,6 (7,9)	6,5 (14,3)	8,4 (18,5)
Dimensions (l x w x h) in mm (in)	549 x 100 x 90 (21,6 x 3,9 x 3,5)	1065 x 100 x 90 (41,9 x 3,9 x 3,5)	1108 x 103 x 96 (43,6 x 4,1 x 3,8)

Straight or with RA30	Free speed (rpm)			Max torque (Nm (lb.ft))			Starting torque (Nm (lb.ft))		
	4 bars (58 psi)	5 bars (72 psi)	6,2 bars (90 psi)	4 bars (58 psi)	5 bars (72 psi)	6,2 bars (90 psi)	4 bars (58 psi)	5 bars (72 psi)	6,2 bars (90 psi)
HL83E-023	500	530	560	13 (10)	17 (13)	21 (15)	10 (7)	14 (10)	17 (15)
HL83E-054	220	230	240	31 (23)	39 (29)	49 (36)	25 (18)	31 (23)	39 (29)
HL83S-035	230	250	270	100 (74)	120 (89)	145 (107)	80 (59)	96 (71)	116 (85)
HL83S-060	130	140	150	170 (125)	200 (150)	250 (180)	136 (100)	160 (120)	200 (150)
HL83H-111	70	76	83	250 (180)	300 (220)	370 (270)	230 (170)	280 (210)	350 (260)
HL83H-169	46	50	54	380 (280)	450 (330)	570 (420)	304 (220)	360 (270)	456 (340)
HL83H-169	24	26	29	720 (530)	860 (640)	1070 (790)*	670 (490)	810 (600)	1010 (750)*

With RA20 right angle head	Free speed (rpm)			Max torque (Nm (lb.ft))			Starting torque (Nm (lb.ft))		
	4 bars (58 psi)	5 bars (72 psi)	6,2 bars (90 psi)	4 bars (58 psi)	5 bars (72 psi)	6,2 bars (90 psi)	4 bars (58 psi)	5 bars (72 psi)	6,2 bars (90 psi)
HL83E-023	380	400	420	18 (13)	22 (16)	28 (21)	14 (10)	18 (13)	22 (16)
HL83E-054	160	170	180	41 (30)	52 (38)	65 (48)	33 (24)	42 (31)	52 (38)
HL83S-035	170	180	190	120 (90)	160 (120)	190 (140)	96 (71)	130 (95)	150 (110)
HL83S-060	100	105	115	220 (160)	270 (200)	330 (240)	175 (130)	215 (160)	265 (200)
HL83H-111	Not available								
HL83H-169									
HL83H-169									

All performance values indicated above have a +/-5% accuracy

With banjo head BJH01	Free speed (rpm)			Max torque (Nm (lb.ft))			Starting torque (Nm (lb.ft))		
	4 bars (58 psi)	5 bars (72 psi)	6,2 bars (90 psi)	4 bars (58 psi)	5 bars (72 psi)	6,2 bars (90 psi)	4 bars (58 psi)	5 bars (72 psi)	6,2 bars (90 psi)
HL83E-023	120	130	140	54 (40)	65 (48)	82 (60)	52 (38)	64 (47)	72 (53)
HL83E-054	52	56	60	125 (92)	150 (110)	190 (140)	115 (84)	150 (110)	180 (130)
HL83S-035	57	62	67	350 (260)	430 (320)	530 (390)	280 (210)	340 (250)	420 (310)
HL83S-060	Not available								
HL83H-111									
HL83H-169									
HL83H-169									

With banjo head BJH02	Free speed (rpm)			Max torque (Nm (lb.ft))			Starting torque (Nm (lb.ft))		
	4 bars (58 psi)	5 bars (72 psi)	6,2 bars (90 psi)	4 bars (58 psi)	5 bars (72 psi)	6,2 bars (90 psi)	4 bars (58 psi)	5 bars (72 psi)	6,2 bars (90 psi)
HL83E-023	160	170	180	40 (30)	49 (36)	62 (46)	32 (24)	39 (29)	50 (37)
HL83E-054	70	75	80	95 (70)	115 (84)	145 (110)	76 (56)	92 (68)	150 (84)
HL83S-035	75	82	90	260 (190)	320 (240)	400 (290)	210 (155)	260 (190)	320 (240)
HL83S-060	44	48	52	450 (330)	550 (400)	680 (500)	360 (270)	440 (320)	540 (400)
HL83H-111	23	25	28	750 (550)	900 (660)	1100 (810)*	690 (510)	840 (620)	1050 (770)*
HL83H-169	Not available								
HL83H-169									

\* Warning ! Do not use the actuator when the torque is higher than 1000 Nm (740 lb.ft) or use a torque limiter

All performance values indicated above have a +/-5% accuracy

### Sound and vibration levels

Sound and vibration levels are calculated based on the conditions of use at the maximum rated speed. Values apply to the core tool (without added options or accessories). The values can vary significantly depending on the equipment to which the tool is applied. The end operator should establish the actual measurements.

Maximum level of weighted acoustic pressure A at the operator's location	<b>L pA = 85 dB(A)</b>
--	------------------------

Values established from an equivalent apparatus.

Value of vibration emission	ah < 2,5 m/s <sup>2</sup>
Uncertainty of measure	1,5m/s <sup>2</sup>

Values established from an equivalent apparatus.

## 8. Starting up the Portable Valve Actuator

### a. Lubrication and connection

The Portable Valve Actuator comprises a pneumatic motor that need lubrication!

Before connecting a **modec** actuator to the compressed air network, you need to make sure the air network is of good quality in order to protect the tool from impurities and humidity (risk of corrosion).

A pneumatic motor generates a fog of oil vapors when used. Make sure you take precautions to protect and aerate the area as required according to the lubricant used.



In addition to the command system incorporated into the actuator, **modec** recommends using an automatic cutout system linked to a manual reset device in case the pneumatic power feed is lost. **modec** suggests using a SAT Box for example. Ask your distributor about it.

Main points to be aware of:

- The feed pressure must not exceed the maximum authorized pressure of 6.2 bars, if it is greater, use a pressure regulator ahead of the connection.
- Use the correct air lubrication. The actuator must be lubricated (see values in the table below) to give it an optimal life span and to guarantee it works at full power. Use an oil with a viscosity between 40 and 380 cst according to the temperature at which the actuator is used. **modec** offers an oil adapted specifically to pneumatic actuators with the commercial reference AC149. (The technical sheet and the safety data sheet are available from **modec**.)
- It is strongly recommended that you install an FRL unit (filtration, air pressure regulation, lubrication) at a maximum distance of 5 meters from the actuator. This should be chosen to allow a flow greater than the actuator's maximum consumption and it should be capable of filtering air at 40 µm.
- The temperature at which the actuator is used must be kept within a range of -30 and +150°C. The lower the temperature, the greater the importance to filter and dry the air.
- The airflow should be sufficient to assure the actuator works properly. In particular, watch that the connections, feed pipes and air distributors can deliver sufficient flow.
- Do not use damaged or worn tubes. Carefully inspect the feed tubes before use – a split in the tube could cause damage.
- The minimal dimensions of the compressed air pipes and the diameters of the fittings connecting to the network are set out in the table below. These recommendations apply only for lengths no longer than 5m. If more than 5m, you need to use pipes of greater diameter.

Lubrication & connection	Air cons. (Nl/min) (scfm)	Connection	Mini fittings Ø (mm) (in)	Mini pipe Ø (mm)	Lubrication (drops/min)	FRL unit	SAT Box
HL83E	1000 (35)	G 3/8	7,5 (0.28)	10 (0.39)	2,5	AC107	AC118
HL83S/H	2000 (71)	G3/4	10,4 (0.32)	14 (0.47)	6	AC107	AC118

## b. Starting up the pneumatic actuator

The **modec** pneumatic motors used in our pneumatic actuators are systematically tested and lubricated at the end of the manufacturing process, however the motor cannot reach full power until after one hour's use (running in time for the motor).

We recommend that before using a new pneumatic actuator or one that has been in storage, you place about 20 drops of oil in the opening of the actuator's feed point and then connect it



to a lubricated (with an appropriate lubricant) air network and let it run free at 6 bars for 5 to 10 minutes.

Check there is no motor malfunction (abnormal sounds or excessive over-heating).

## 9. Setting up the Portable Valve Actuator

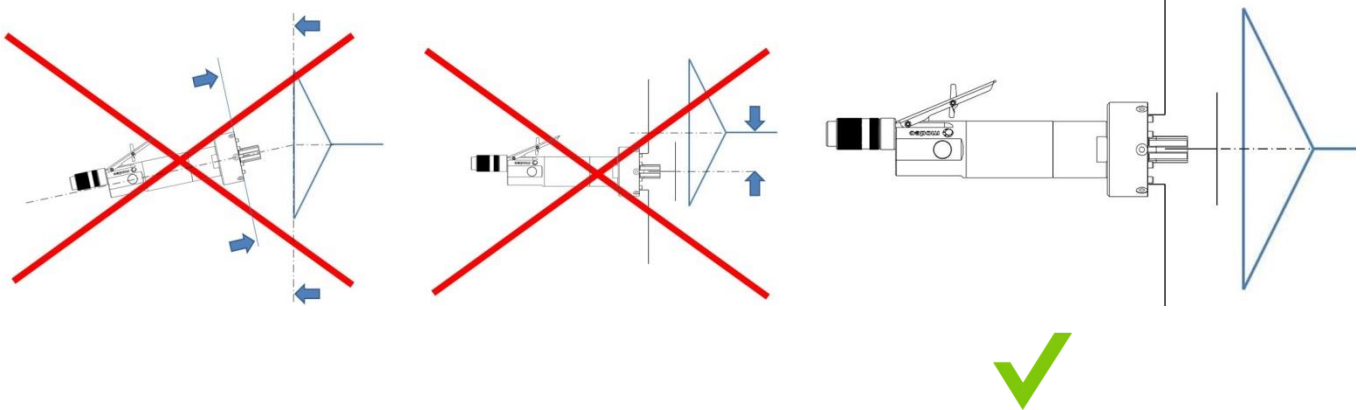
### a. General info



The actuator must be kept stable while turning the valve or handwheel.

**modec** Pneumatic Portable Valve Actuators can be used in any position.

However, to ensure the operator is working safely and in the best conditions, it is imperative that the actuator is used in the axis of the handwheel being activated.



NB: These diagrams are made with one of the **modec** actuators. However, the head (flange and output shaft) being identical on all actuators, they apply in the same way to all the actuators of the range.

### b. Fixing the actuator on to the torque management device and/or on an adaptor



To ensure the operator is working safely and in optimum conditions, it is imperative to use a torque retention system.

Our actuators are delivered with:

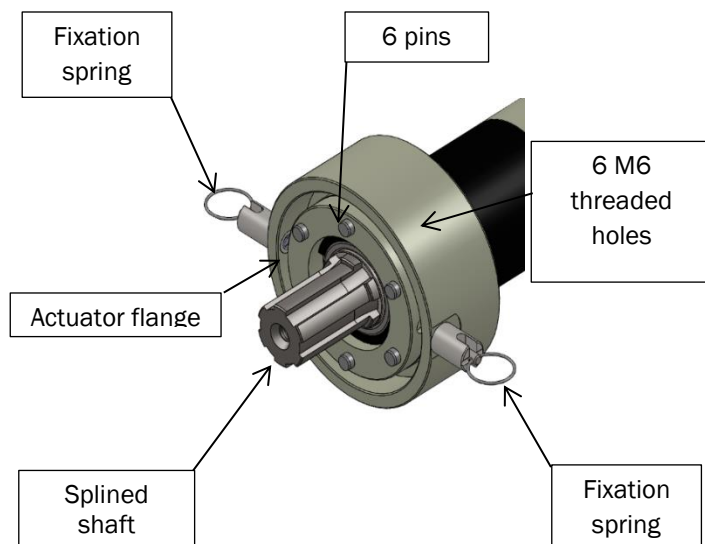
- A BR001 torque management reaction bar
- A strap or a chain
- 2 carabiners.

In addition to this basic pack, **modec** also has a wide range of torque management accessories (see the catalogue and the following presentation for more details).

As well as these standard accessories, **modec** develops specific systems. If you would like to check your installation or if you have a specific solution request, contact a registered **modec** distributor.

Besides this torque retention rod, it is also possible using the “**modec** standard” flange and shaft to fix the system to RA30 right-angled models, to BJH hollow heads and all **modec** torque management accessories (see catalogue).

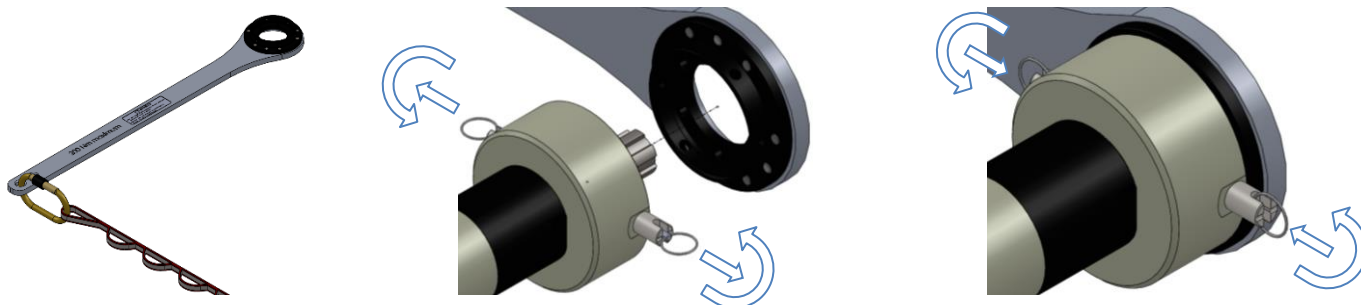
If the standard equipment does not provide a torque retention that offers sufficient safety for both operators and equipment, **modec** can develop and/or adapt special torque management systems.



Never use a portable actuator with a torque management system that is under-sized, unstable or badly positioned.

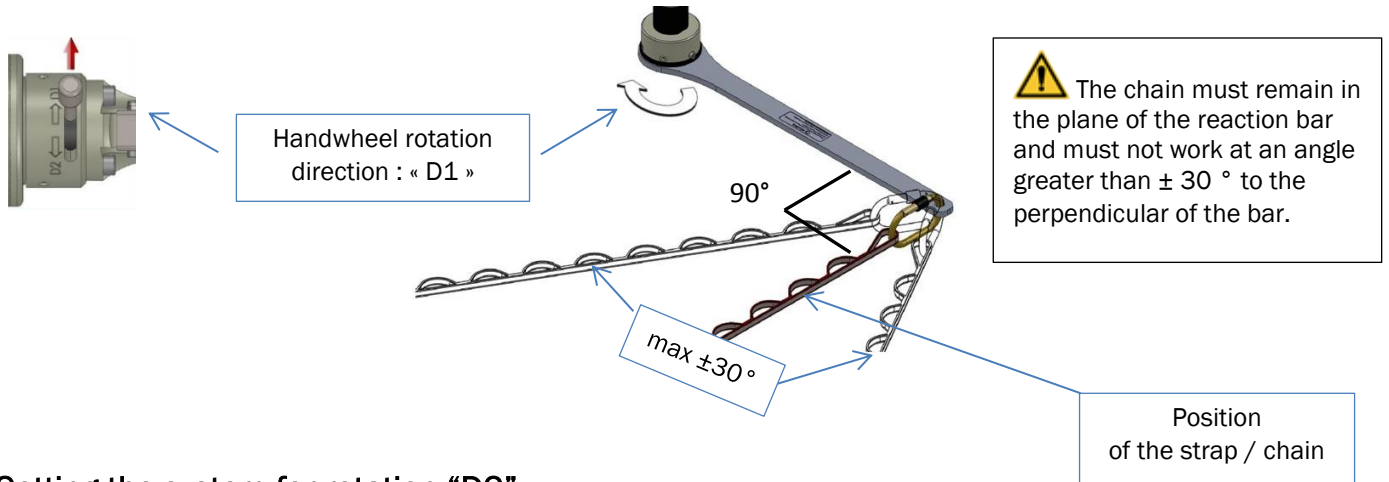
### c. Fixing the BR001 torque management arm and anchoring strap

Pull each fixation spring with the ring and rotate for a quarter turn so that they stay in the pulled position. Place the black ring of the torque management bar on the flange so that the 6 pins enter the corresponding holes. Make a quarter turn with the fixation springs rings and release the springs making sure they come back. Check that the torque management bar is properly secured to the flange.



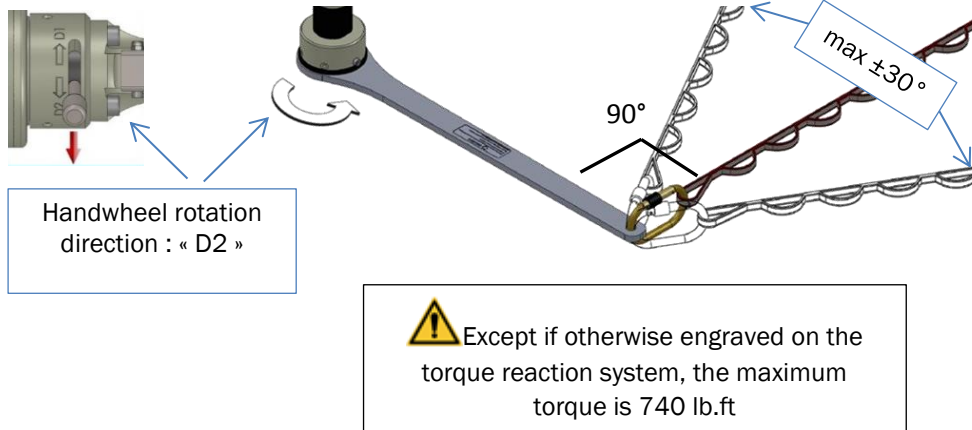
## Setting the system for rotation “D1”

Switch the rotation direction lever to “D1”



## Setting the system for rotation “D2”

Switch the rotation direction lever to “D2”



## 10. Using the actuator

### a. Preliminary checks

1- Check the equipment is in good condition and use accessories that are the most suitable for the actuator.

**!** Make sure the torque management system and the handwheel adapter are compatible with the action about to be carried out.

2- Plug in the pneumatic actuator, set the lubricator and pressure regulator to 4 bar.

3- If the actuator has a torque limiter, set it to minimum.

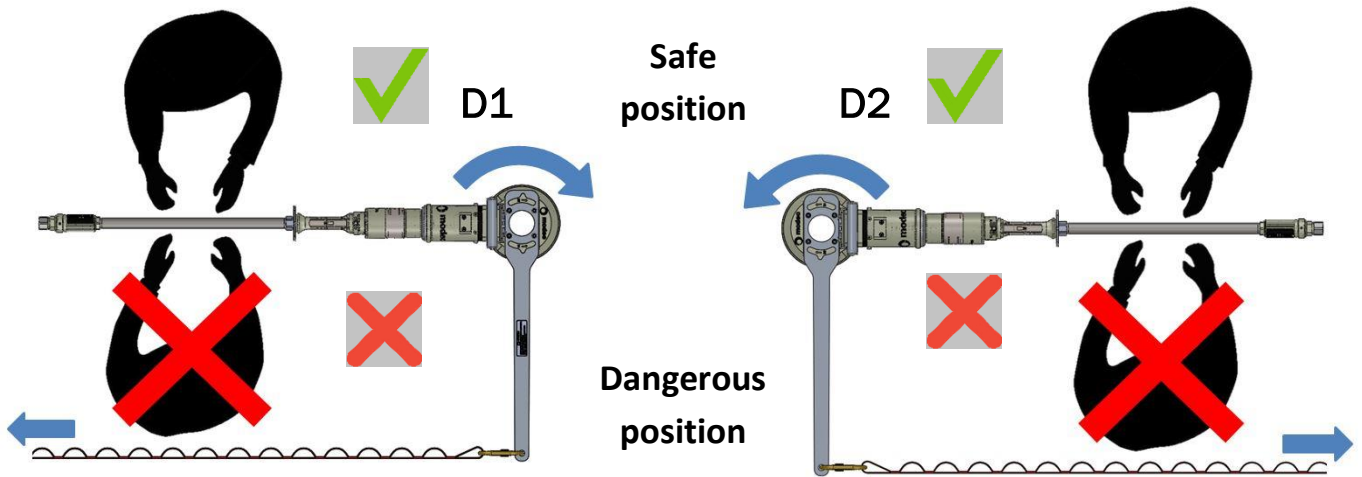
4 - Check the rotational direction required for the valve, indicated on the handwheel or the manual. Set the defined rotational direction using the actuator's left/right switch.

5 - Position the adaptor on the valve and set up the torque retention system. Consult the instructions for adaptors.



6 – Check the operator is correctly positioned in relation to both the actuator and the torque retention rod. When used, the actuator (or the torque retention rod) is designed to have a tendency to move away from the operator. This way, if there is a malfunction, the operator drops the tool safely and it will then move away from him and immediately stop.

**Handwheel direction, reaction bar fixation and operator position:**



6 – When starting up always start up slowly in order to VERIFY the rotation direction, and to put tension on the torque retention strap or chain.



Unlock the safety catch



Clasp the handle down



Accelerate gradually



**b. Special cases**

1 – If the valve does not move, release the handle and change the actuator’s rotational direction to give it a little nudge.

**⚠ Check again the direction of the torque retention.**


2 – Gradually increase the air pressure until reaching the torque and/or the speed desired – but do not exceed 6.2 bars.

3 – If there is increased resistance from the valve (torque applied to the actuator), the actuator will slow down and will eventually stall when the maximum torque it can face is reached. Be very careful that the applied torque does not exceed the limits the valve can withstand, or use a torque limiter (optional).

4 – In case of resistance resulting from deposits on the stem, turn the valve in both directions several times to ‘clean’ it. **modec** revolution counter (optional) enables you to always know which position the valve is in.

5 – When the closed position is reached, make sure the torque does not exceed the level that the valve can withstand. Unless the procedure indicates otherwise, reopen the valve with a few turns so that the accelerated fluid “cleans” any potential impurities from the valve, then close it again at the desired torque.

6 – When the maximum open position is reached, reclose with a few turns to avoid the valve being stuck in future. Doing this also means that the valve is still able to turn when next actuated even if the operator turns it the wrong way, which again helps prevent the valve being stuck.

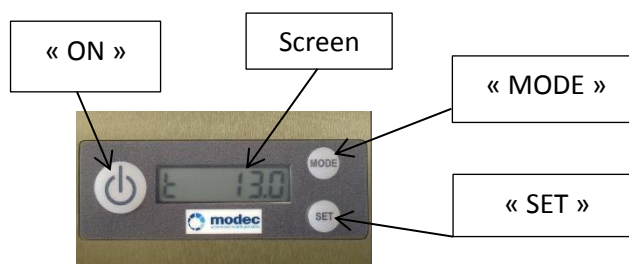
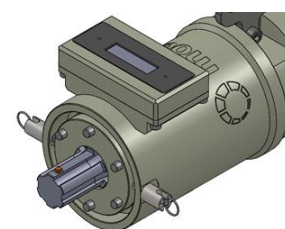
 Take note - **the torque when closing a valve should always be inferior to the torque when opening a valve**, in order to guarantee that the valve can be reopened. Using a torque limiter for closing and opening a valve means you can be always be sure to have enough torque in reserve for the valve to be reopened or reclosed.

## 11. Options

### a. Digital Revolution counter

- PRESENTATION

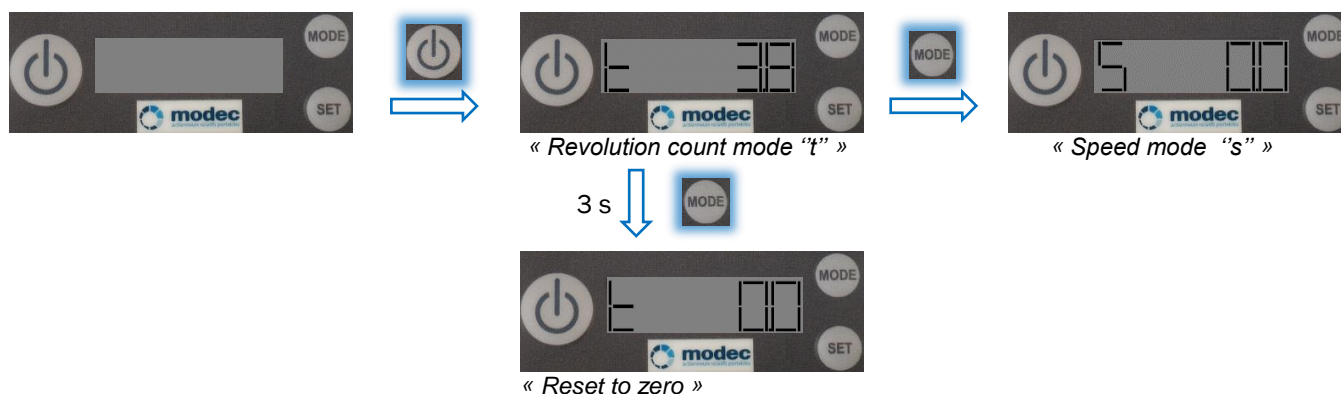
The digital Revolution counter adds up the revolutions in one direction and subtracts them in the other direction in such a way that the operator always knows where he is in relation to the initial set-up. The tool also measures and shows the rotational speed.



**Nota 1 :** The instant speed indicator needs several revolutions before it can give a stable and regular speed. In light of this, you have to wait several seconds to get a reliable reading.

**Nota 2 :** The screen turns itself off after 5 minutes.

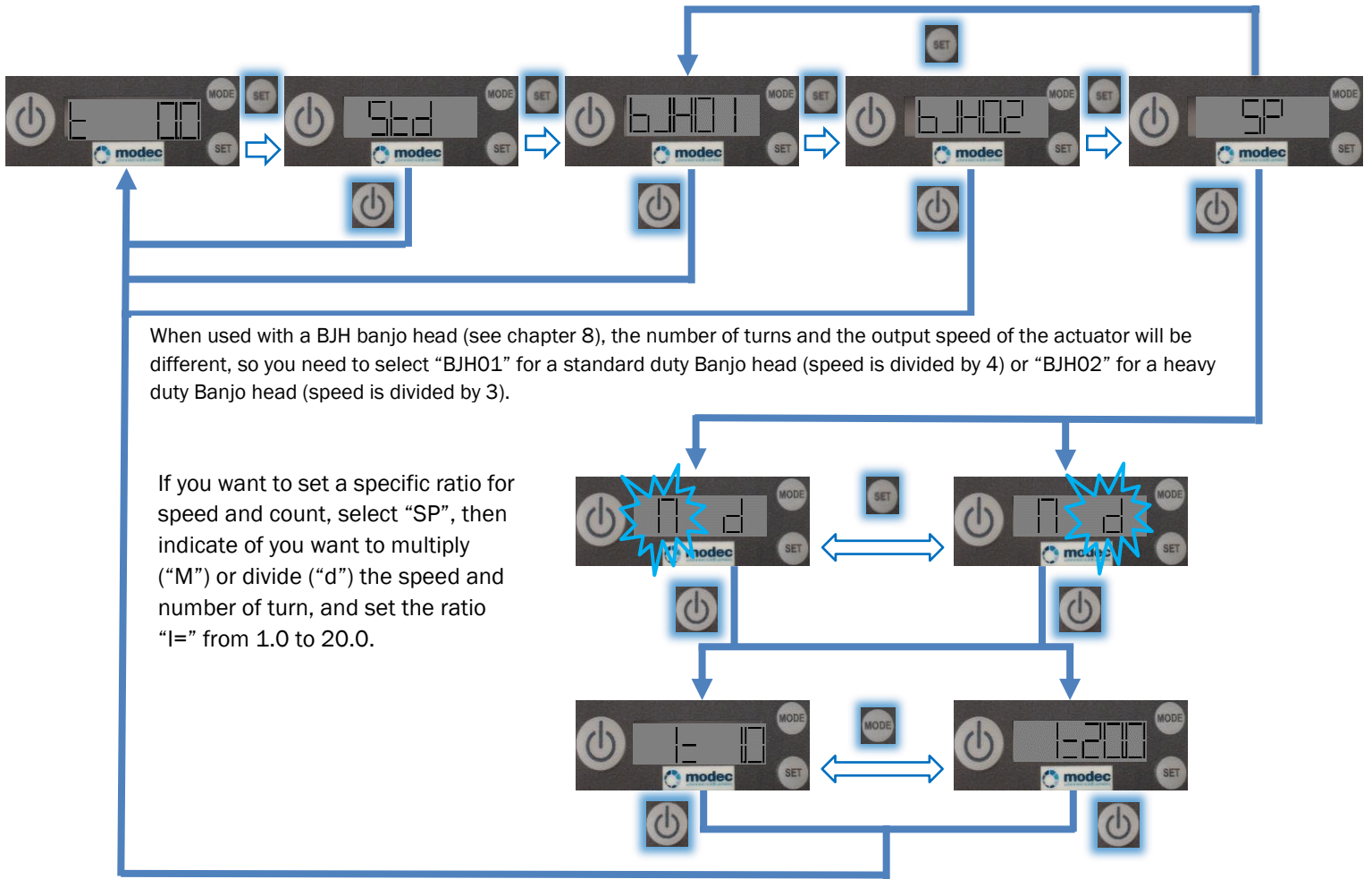
- HOW IT WORKS





• **REVOLUTION COUNTER PARAMETERS**

The revolution counter is set by default for a straight or right angle head standard output shaft (STD), without Banjo head.



• **CHANGING THE BATTERY**



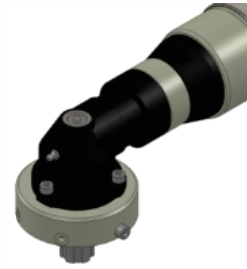
Use a 3mm hexagonal key



Use an AA 3,6V Li-SOCL2 battery  
 Reposition the wires correctly before tightening the 4 screws

## b. RA20 right angle head

This adds a reduction ratio of 1.33 to the tool  
 The maximum allowed torque is 450 lb.ft  
 Its flange and shaft are compatible with all **modec** accessories



## c. Torque limiter

The **modec** torque limiter allows setting the actuator maximum torque within a certain range

**1 - Thumb wheel :** to block the adjustment ring in the chosen position

**2 - Adjustment ring :** Allows setting the maximum torque value.

« + » - Direction to increase torque limit

« - » - Direction to decrease torque limit

**3 - Reloading ring :** to reload the torque limiter after it stops.

- HOW IT WORKS**

1. Set the maximum torque value to the desired level:

- Loosen the thumb wheel (1)
- Move the adjustment ring (2)
- Tighten the thumb wheel (1)

2. Check the torque limiter is engaged by pushing the reloading ring (3) towards the front of the actuator.

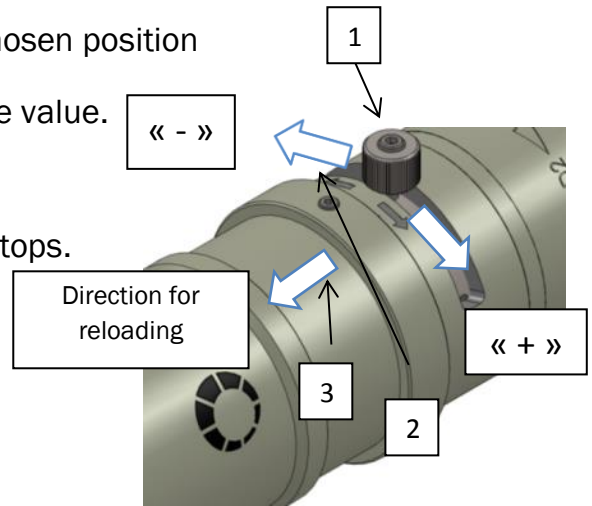
3. Use the actuator until the torque limiter is released.

4. Re-engage the limiter by pushing the ring (3) towards the front of the actuator.

This procedure can only be carried out if the motor is stopped (or, for the petrol gas actuator, if the motor is running slowly with the clutch not engaged).



In order to avoid any untimely disengagement, make sure that you start the actuator gradually, and smoothly.



The torque limiter is available as an option in line with the following references:

Straight or with RA30 right angle head	Reduction ratio	Minimum torque limit Nm (lb.ft)	Maximum torque limit Nm (lb.ft)
Easy duty	54	37 (27)	92 (68)
Standard duty	169	115 (85)	288 (212)
Heavy duty	258	176 (130)	440 (325)
Super heavy duty	564	380 (280)	960 (710)

With RA20 right angle head	Reduction ratio	Minimum torque limit Nm (lb.ft)	Maximum torque limit Nm (lb.ft)
Easy duty	72	49 (36)	122 (90)
Standard duty	225	133 (98)	333 (246)
Heavy duty	Not available		
Super heavy duty	Not available		

With Banjo head BJH01	Reduction ratio	Minimum torque limit Nm (lb.ft)	Maximum torque limit Nm (lb.ft)
Easy duty	216	148 (109)	368 (271)
Standard duty	Not available		
Heavy duty	Not available		
Super heavy duty	Not available		

With Banjo head BJH02	Reduction ratio	Minimum torque limit Nm (lb.ft)	Maximum torque limit Nm (lb.ft)
Easy duty	162	111 (82)	276 (204)
Standard duty	507	345 (254)	864 (637)
Heavy duty	Not available		
Super heavy duty	Not available		

Torque values indicated in these tables can vary depending on customers' request

## 12. Servicing and maintenance

Take the machine to a registered **modec** distributor for servicing every 400 hours or at least once a month.

Maintenance operation	Weekly	Yearly or as needed
Check and service the actuator by a registered <b>modec</b> distributor		
Grease the right-angled head (grease type ORAPI n° 606-CTDMEP2)		
Replace the Revolution counter battery *		
Check the torque limiter* by a registered <b>modec</b> distributor		

\*The revolution counter and the torque limiter are optional

Maintenance to be carried out at the indicated intervals in months or in hours of use, from the first deadline onwards.			Interval			
			After each time used	Every 3 months or 25 hours	Every 6 months or 50 hours	Every year or 100 hours
Range	Parts	Task				
HL83	Condition of the tool and protective elements	Check	U			
HL83	Functioning of the triggers and Stop/Start button	Check	U			
HL83	Functioning of the setting systems for the torque, power and direction	Check	U			
HL83	Condition of the cables and/or leads	Check	U			

U : user – M : **modec** registered distributor / repairer

### General recommendations



- Take note of all the work health and safety regulatory provisions that apply and any local workplace safety instructions including conditions relating to the work environment, clothing and the operator's individual protective equipment as required by all the applicable regulations.
- It is advisable to keep a maintenance log for all maintenance tasks carried out on the actuator.
- **Prevent foreign bodies from entering the system by using a clean work surface in order to protect the delicate moving parts from being contaminated by dirt or foreign materials when assembling and disassembling, as this could cause a deterioration of the mechanical parts.**
- Maintenance of the Portable Valve Actuators should be carried out by people who have been trained by **modec**.  
Our "After Sales Service" department are ready to help in this respect.
- Systematically disconnect the actuator from the compressed air supply before carrying out any procedure that involves replacing, adjusting, servicing or disassembling the actuator or any of its parts.
- Every time maintenance is carried out, test the actuator afterwards to check it is working correctly.
- **Only use approved replacement parts and follow the manufacturer's advice with regard to lubrication and waterproofing.**



### 13. Problem solving

<b><i>Pneumatic Portable Valve Actuator HL83</i></b>			
<b>Symptom</b>	<b>Probable causes</b>	<b>Checks &amp; solutions</b>	<b>Repaired by</b>
The actuator won't start	Insufficient air flow	1 Check the available air flow and pressure in the network 2 Check the pneumatic supply connection on the actuator 3 Check the condition of the pneumatic pipes	User
	Insufficient lubrication	Check the lubrication of the pneumatic supply (FRL or SAT Box)	User
	Internal parts are jammed	Inspect et clean	<b>modec</b> Distributor
Insufficient power, speed or torque	Lack of pressure	Check the pressure in the network	User
	Lack of air flow	Check the network flow and check the pipes used are of sufficient diameter	User
	Counter-pressure at the motor's exhaust	Check the condition and suitability of the silencer	User

<b><i>Revolution counter (optional)</i></b>					
<b>Symptom</b>	<b>Screen status</b>	<b>Probable causes</b>	<b>Checks</b>	<b>Solutions</b>	<b>Repaired by</b>
The counter doesn't give a reading	Off	Timer elapsed / automatic stop		Activate the "ON" button	User
		Flat battery	Check the state of the battery	Change the battery	User
		Screen is out of order	Check with a registered <b>modec</b> distributor	Change the screen	<b>modec</b> Distributor
The counter is on but doesn't count	On and not moving	Poor connection between the captor and the card	Check the sensor connection	Reconnect the sensor	User <b>modec</b> Distributor
		Captor and/or the card is out of order	Check with a registered <b>modec</b> distributor	Change the electronic card	<b>modec</b> Distributor

<b><i>Torque limiter (optional)</i></b>			
<b>Symptom</b>	<b>Probable causes</b>	<b>Solutions</b>	<b>Repaired by</b>
The motor runs but the output shaft doesn't	The torque limiter is disconnected	Re-engage the torque limiter Start the actuator smoothly	User
	The torque limiter setting is too low	If possible, increase the maximum torque value	User
		Check the torque limiter status (is it damaged ?) Change the torque limit range	<b>modec</b> Distributor

# Warranty

**modec** guarantees its equipment in accordance with the following conditions:

- During 12 months as of the delivery date, **modec** warrants its equipment against all material and manufacturing defects, except for consumable parts and elements that are out of order due to normal wear and tear further to standard use 8 hours per business day. During the aforementioned period, **modec** will replace or repair all parts acknowledged as defective by our departments, which parts shall have been promptly returned by the buyer to **modec** plants, all carriage costs and duties paid, enclosing a detailed description of the recorded breakdown and the warranty certificate.
- Components that were not manufactured by us come under the relevant manufacturer's warranty.

This warranty shall only be applicable if the machine is used with **modec** consumables. We hold no liability if our products are used in an abnormal manner.

## **AGREEMENT REVIEW**

Significant modifications in the Buyer's economic or financial situation, including the sale, transfer, pledge or contribution of the latter's business or assets, and if payment or acceptance of bill is not performed on the agreed date, even further to partial order performance, may entail revision of the conditions thereof and the overall credit conditions granted.

## **INTELLECTUAL PROPERTY**

We continue to hold all intellectual property rights to our projects, studies and documents that shall not be communicated, exploited or reproduced without our prior written authorization.

## **FORCE MAJEURE EVENT**

**modec** shall not be held responsible for any breach whatsoever of its contractual obligations that result from causes which are beyond our control such as, amongst others: fire, storms, flooding, earthquake, explosion, accident, strikes and/or industrial disputes, hostile actions, insurrection, war (declared or otherwise), rebellion, sabotage, epidemics, quarantine, impossibility of ensuring supplies of parts, raw materials or machinery, Government decision and legal actions.

## **APPLICABLE LAW**

The agreement shall be governed and construed in accordance with French law.

## **POWER OF JURISDICTION**

All disputes or litigation which have not been amicably settled shall be referred to the Commercial Court of Romans, acknowledged as sole competent jurisdiction by the contractors, including in the event of the introduction of third parties.

## **OTHER CONDITIONS**

Those of the Federation of Mechanical Industrialists of France.







# moddec



Mail : [sales@moddec.fr](mailto:sales@moddec.fr)  
Téléphone : +33 (0)4 75 40 27 15  
Fax : +33 (0)4 75 40 27 36  
[www.moddec.fr](http://www.moddec.fr)

PRINT-NOT-HL83-EN-2023-v01